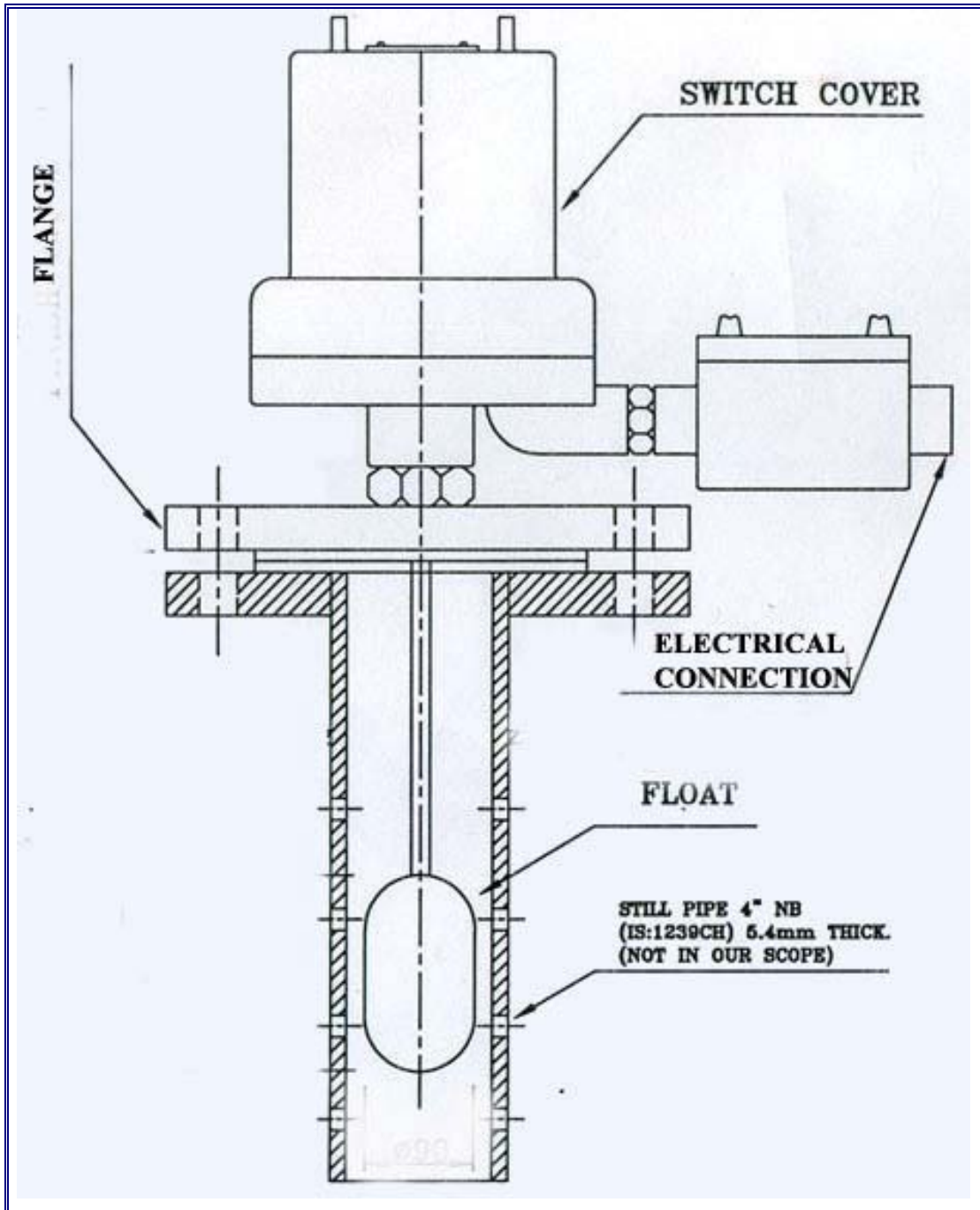
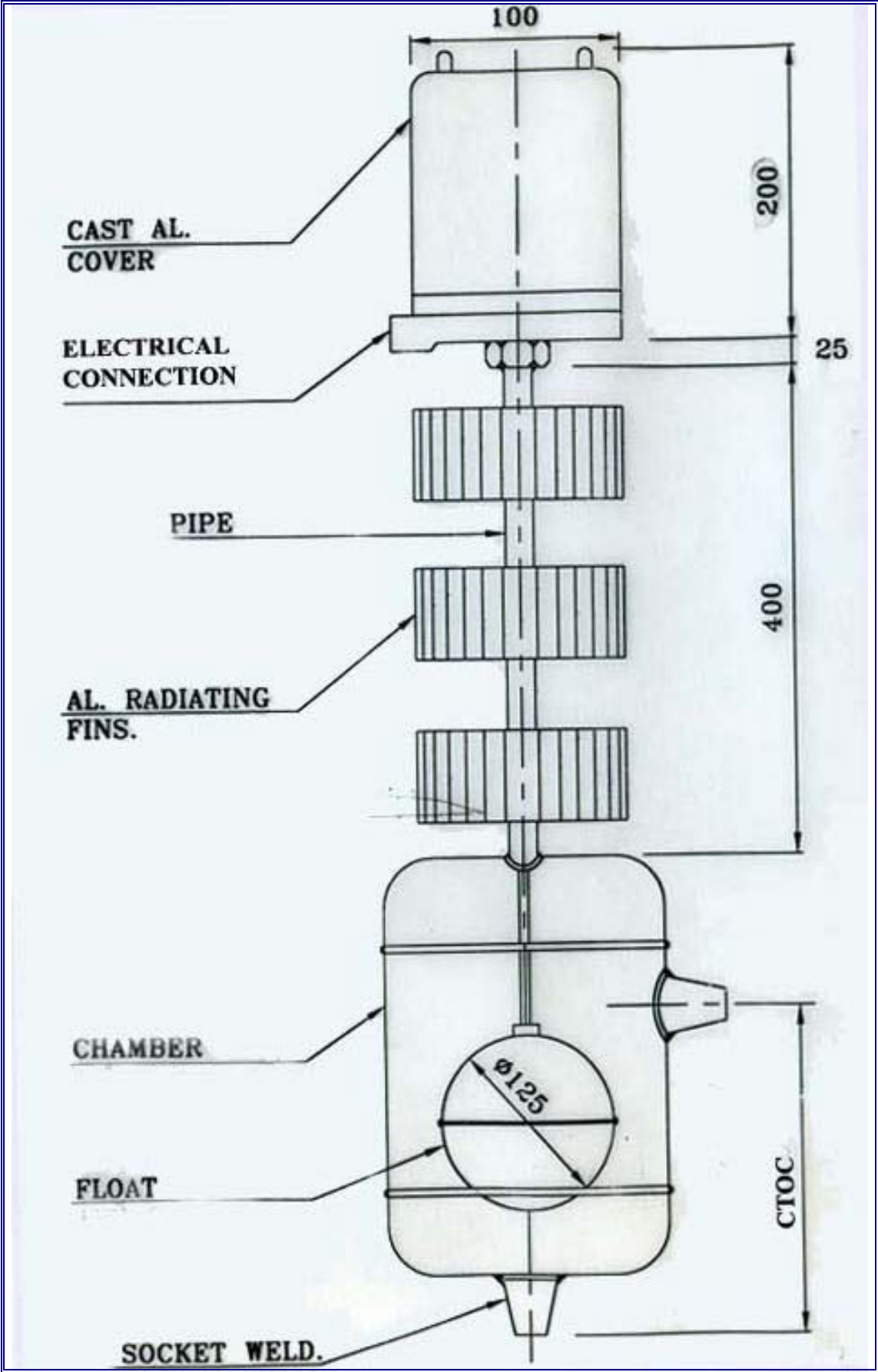


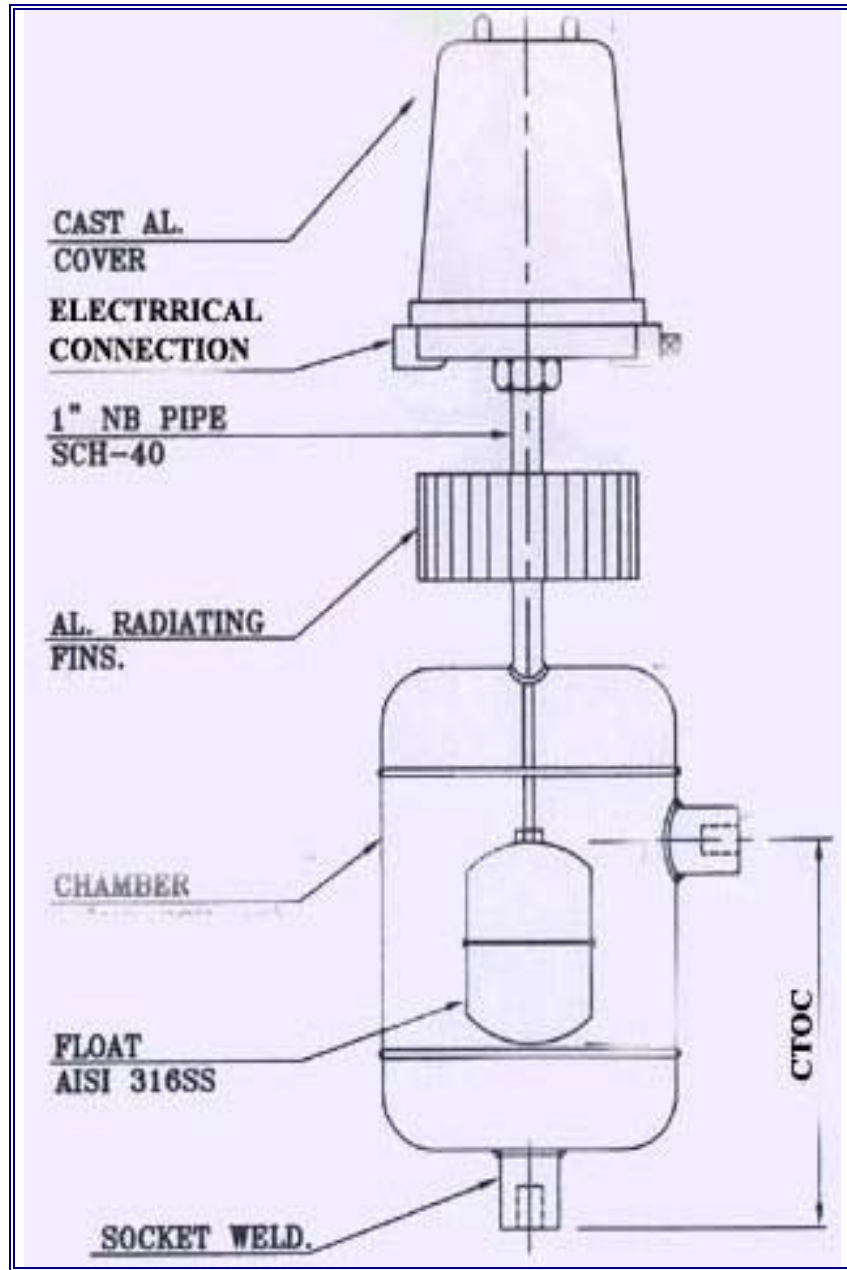
# Schematic Drawing (Flame Proof Float Type - Micro Switch)



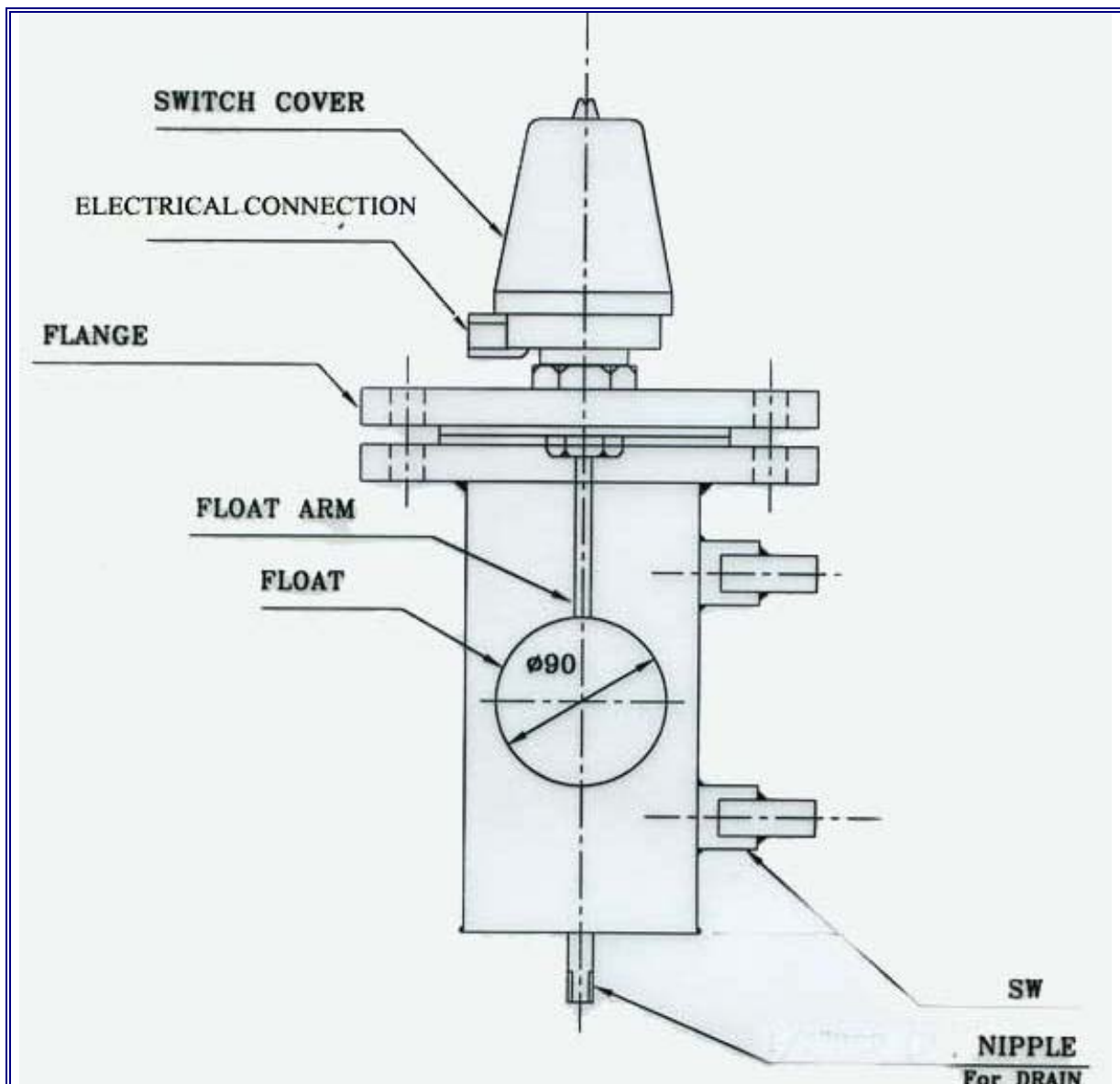
**Schematic Drawing (Sealed External Cage Float Type – Micro Switch)**



# Schematic Drawing (Sealed External Cage – Float Type – Micro Switch)



## Schematic Drawing (External Cage Float Type – Micro Switch)



## D. K. INSTRUMENTS PVT. LTD.

An ISO 9001:2000 Certified Company

76/2, Selimpur Road, Dhakuria, Kolkata – 700 031.

Ph. No.: 91-33-2415 1310 / 2405 0944, Fax: 91-33-2415 2311

E-mail: [dkinst@vsnl.net](mailto:dkinst@vsnl.net), Web Site: [www.dkinstruments.com](http://www.dkinstruments.com)

